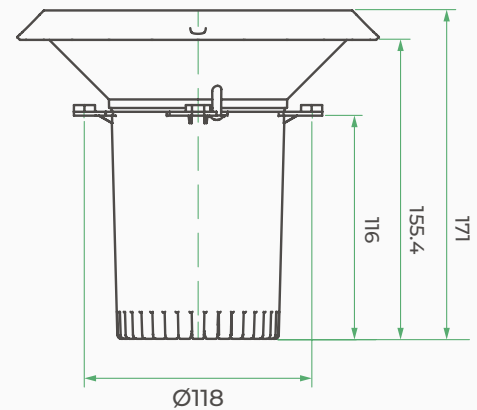
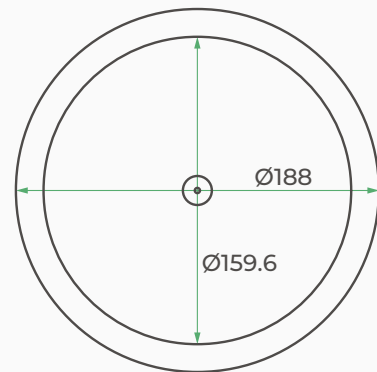


Datasheet

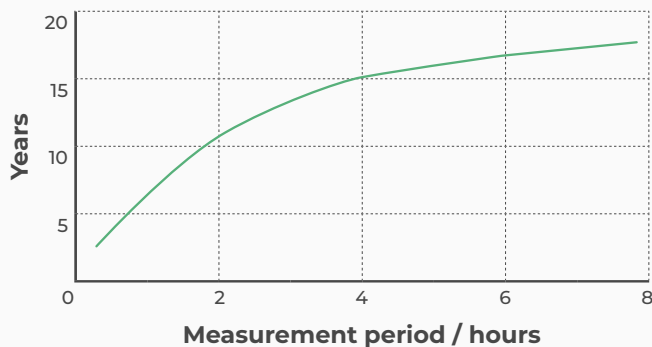
Rain Sense

For high accuracy and long-term stability in precipitation measurement.

Parameter	Value
Connectivity	NB-IoT, LTE Cat-M, NTN Satellite, 2G, LoRaWAN
Measurement range	Up to 600 mm/h certified, up to 2000 mm/h measurable
Accuracy	±2% (calibration ±1%)
Resolution	0.2 mm (0.01")
Measurement threshold	+0.07 mm (0.0027")
Long-term stability	<0.0125 mm/year
Orifice area	200 cm ²
Operating temperature	-40 °C to +80 °C
Protection	Surge protection, IP66W
Shock resistance	15 g
Precipitation type	Liquid (rain)



Dimensions in mm.

Battery lifetime*


* Valid for LoRaWAN and NB-IoT. Measurement period equals data send period.

Rain Sense



Easy Setup & Robust

IP66W, install in 20 mins.



Data Integrity

High quality electronics, advanced data quality control.



Redundant Communication

NB-IoT, LTE Cat-M, NTN Satellite (BG95-S5), 2G fallback, LoRaWAN.



Friendly App

Alerts, data interpretation. Easy installation and operation.

- ~ Low power consumption. Lifetime up to 10 years.
- ~ Multiple mounting options via adapter.
- ~ Maintenance-free.
- ~ Deployable anywhere in the world.



Use cases



Flood warning



Remote environmental sensing



Sewage monitoring



Research & climate impact studies



Agricultural field monitoring



Smart city projects



Contact us
info@meratch.com