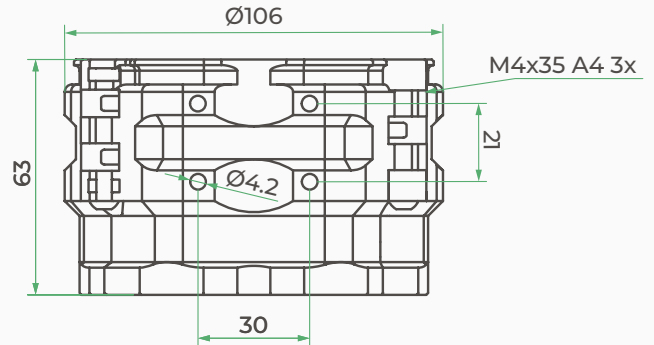
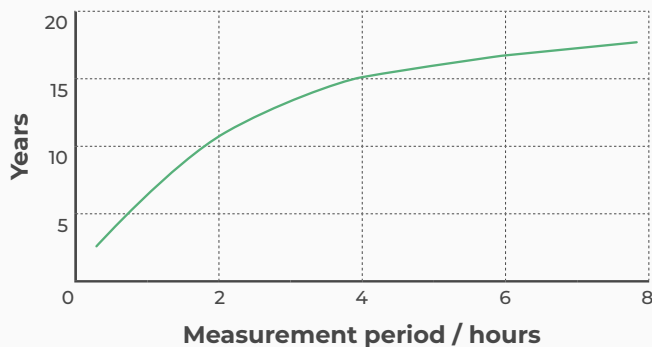


**Datasheet**

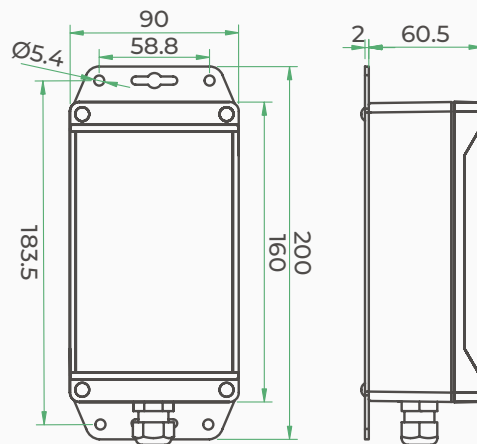
# Radar Level Sensor + Datanode

For continuous water level measurement with wireless data transmission.

Parameter	Value
<b>Connectivity</b>	NB-IoT, LTE Cat-M, NTN Satellite, 2G, LoRaWAN
<b>Measurement range</b>	0.2 m – 22 m
<b>Precision</b>	± 2 mm
<b>Protection</b>	IP68, IK10
<b>Temperature range</b>	-40 to +75 °C
<b>Measurement resolution</b>	1 mm
<b>Radar beam width</b>	10 °
<b>Power</b>	3.6 V, 14 Ah alt. 19 Ah
<b>Casing</b>	Ultrasonically welded
<b>Dimensions</b>	Φ 106 mm, 63 mm
<b>Weight</b>	300 g
<b>Measurement method</b>	Nanoradar


**Battery lifetime\***


\* Valid for LoRaWAN and NB-IoT. Measurement period equals data send period.



Dimensions in mm.

# Radar Level Sensor + Datanode



## Easy Setup & Robust

IP68, IK10, install in 20 mins.



## Data Integrity

High quality electronics, advanced data quality control.



## Redundant Communication

NB-IoT, LTE Cat-M, NTN Satellite (BG95-S5), 2G fallback, LoRaWAN.



## Friendly App

Alerts, data interpretation. Easy installation and operation.

- ~ Low power consumption. Lifetime up to 10 years.
- ~ Multiple mounting options via adapter.
- ~ Maintenance-free.
- ~ Deployable anywhere in the world.



## Use cases



Flood warning systems



Wells and borehole monitoring



Sewage & wastewater monitoring



Tank capacity measurement



Ship weighting



Automated insurance claims



Contact us  
[info@meratch.com](mailto:info@meratch.com)